

**MIDWEST**  
Consulting



Midwest Consulting  
211 SW 1st St  
Madison SD 57042  
605.695.2086

Job Name  
Job Address  
Job Location

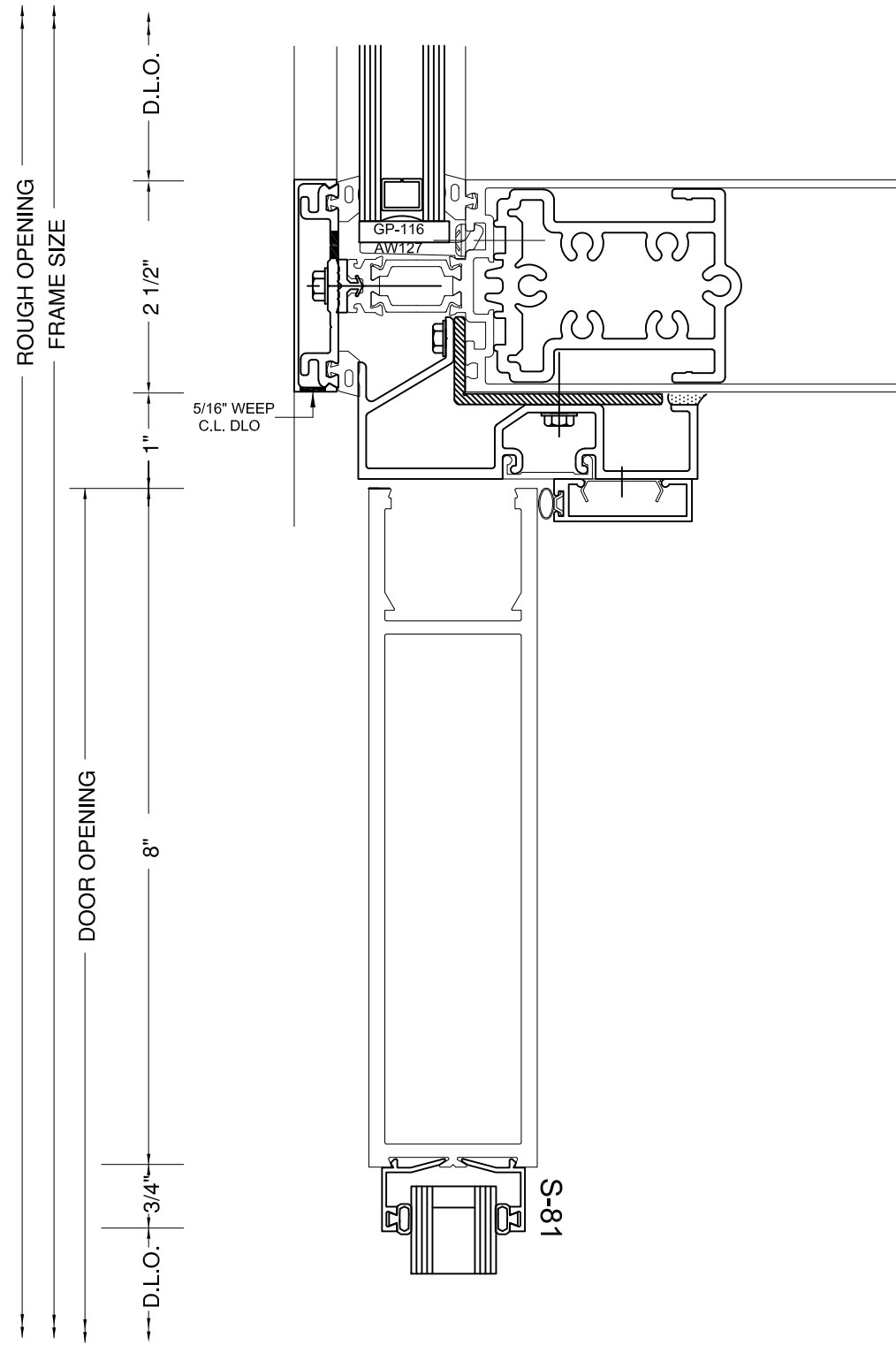
DESCRIPTION	DATE
SUBMITTAL:	00/00/00
1st Submission	00/00/00
1st Revision	00/00/00
2nd Revision	00/00/00

**Details**

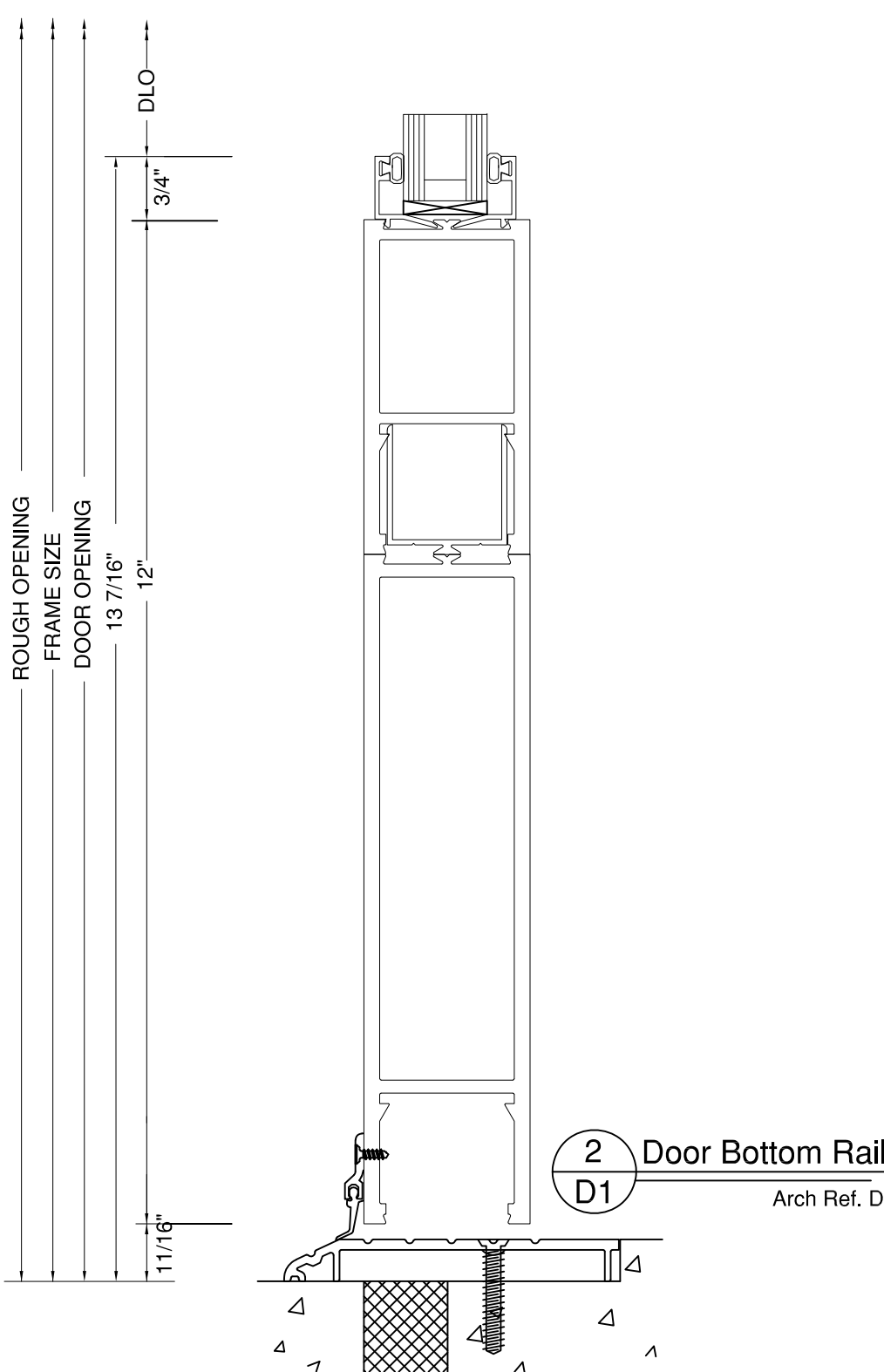
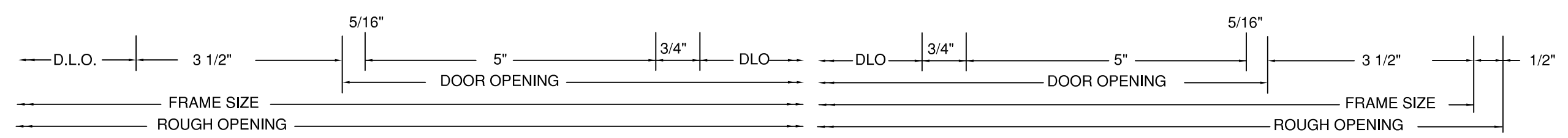
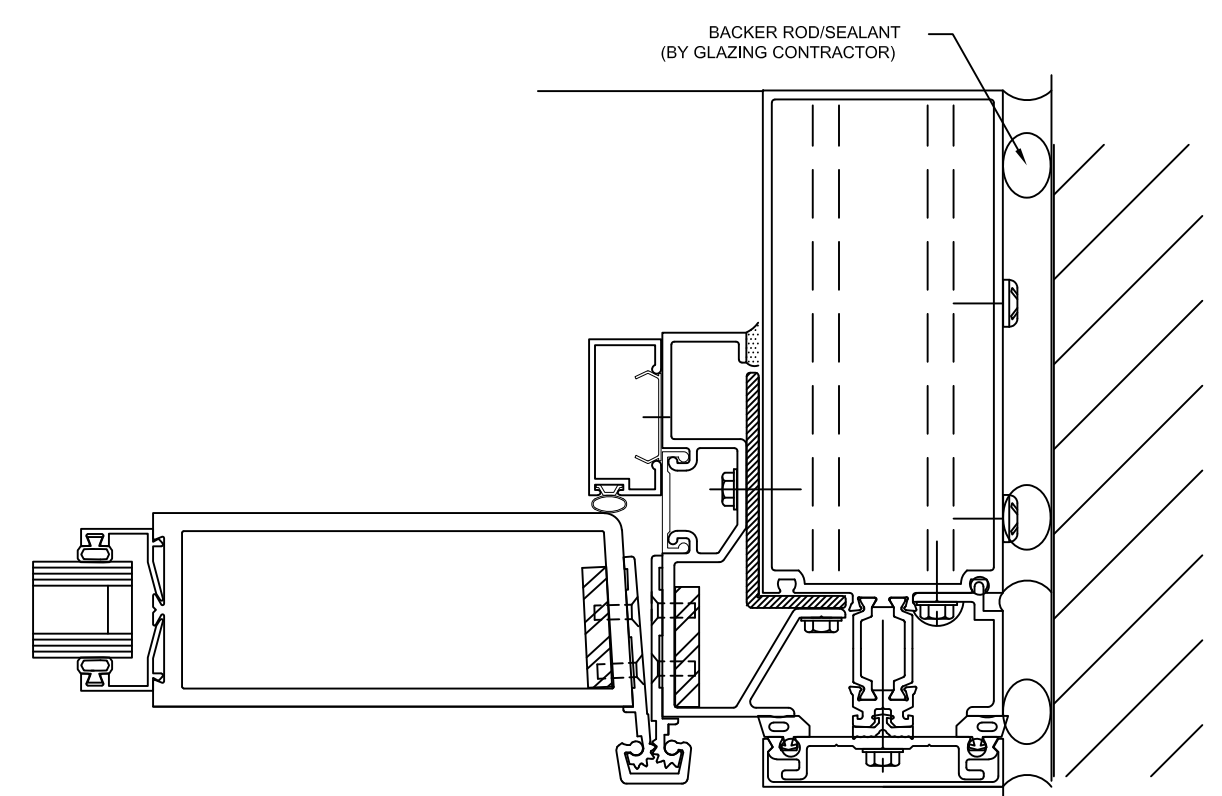
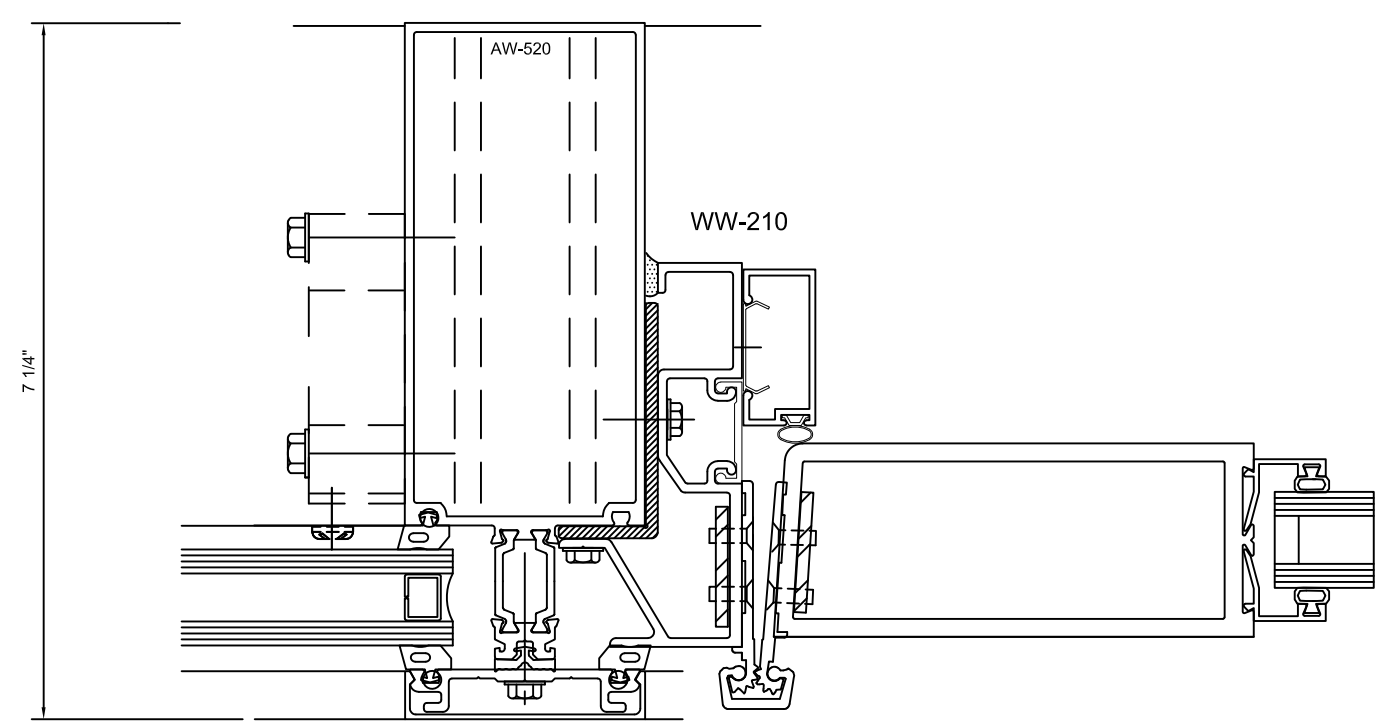
PROJECT #: Job #:  
START DATE: 00/00/00  
REV. DATE:  
DRAWN BY: TD

**D1**

SCALE: 1/2"=1"

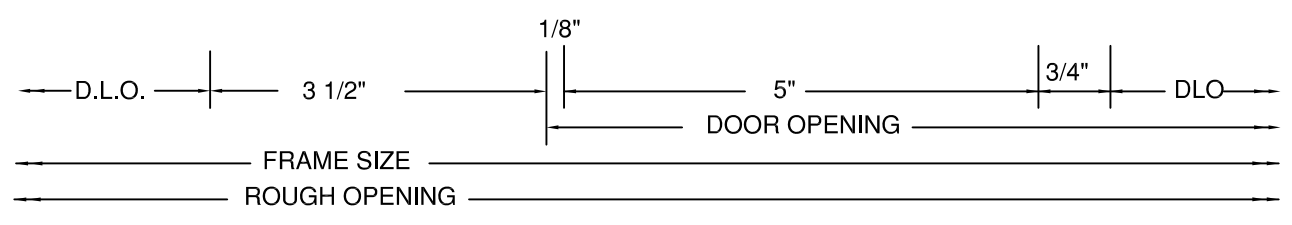
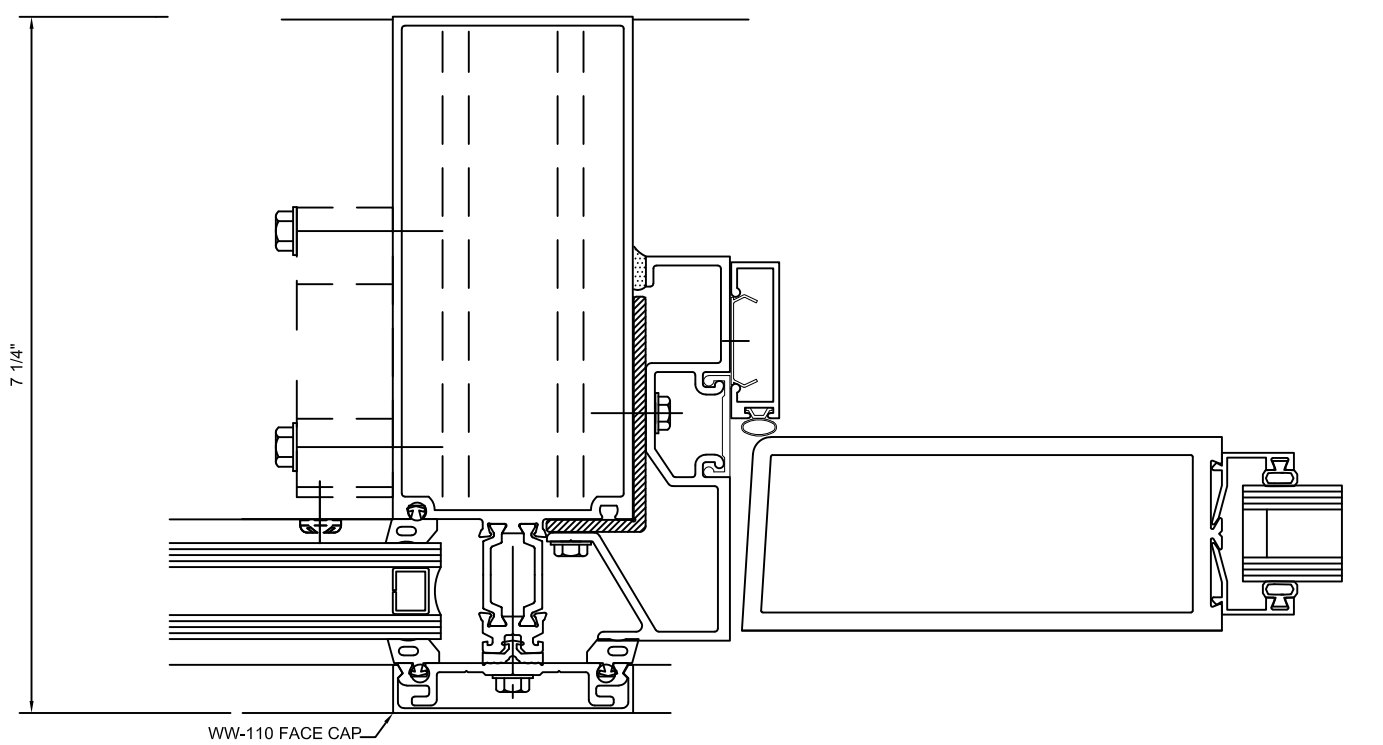


**1** Door Head Detail  
D1 Arch Ref.

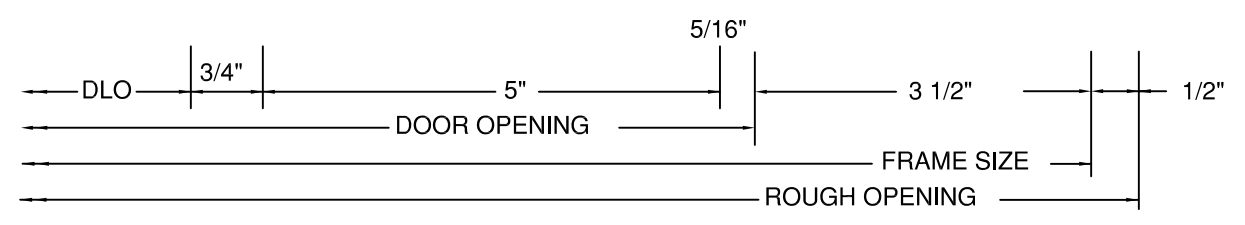
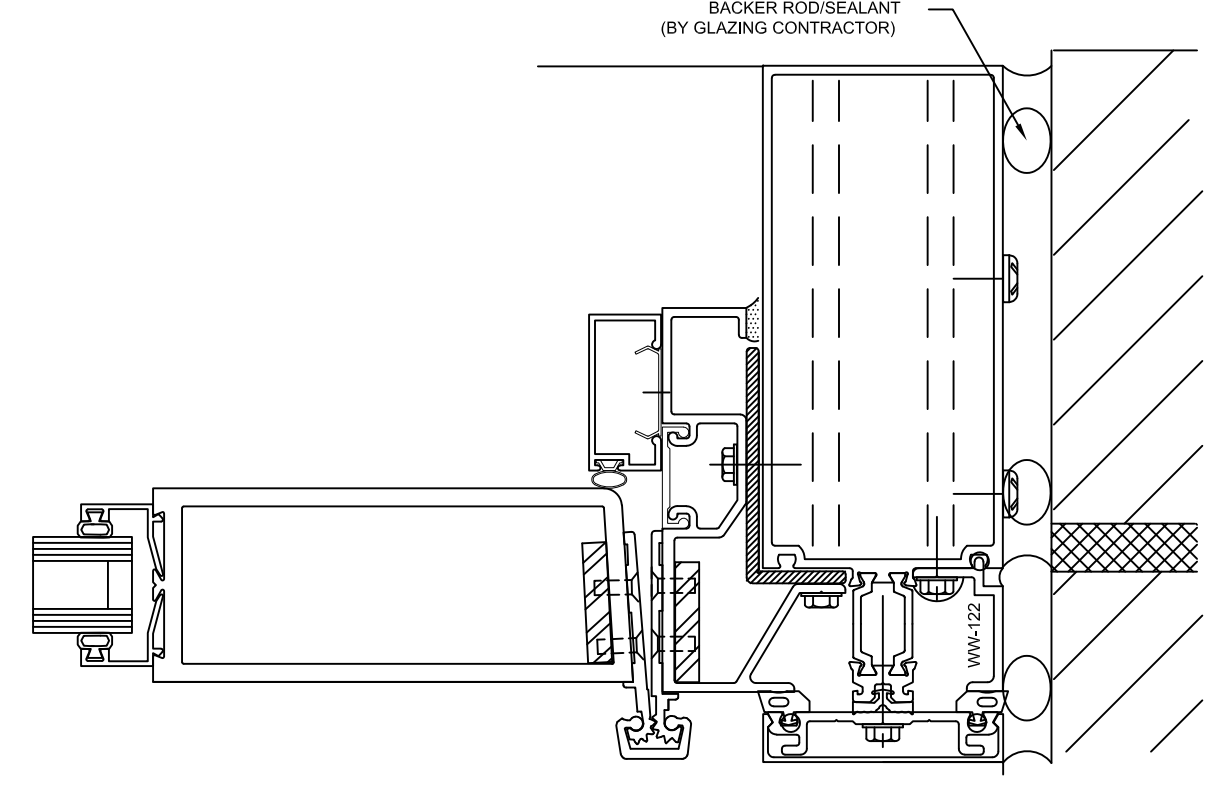


**2** Door Bottom Rail  
D1 Arch Ref. D2/A6.31

**3** Door Sidelite Hinge Jamb  
D1 Arch Ref.



**4** Door Hinge Jamb Detail  
D1 Arch Ref. B2/A6.34  
Arch Ref. D3/A6.37  
BACKER ROD/SEALANT (BY GLAZING CONTRACTOR)



**5** Door Sidelite Lock Jamb  
D1 Arch Ref.

**6** Door Hinge Jamb Detail  
D1 Arch Ref. F3/A6.37  
Arch Ref. D1/A6.37 Sim.  
Arch Ref. F4/A6.31 Sim.  
Arch Ref. F7/A6.35 Sim.



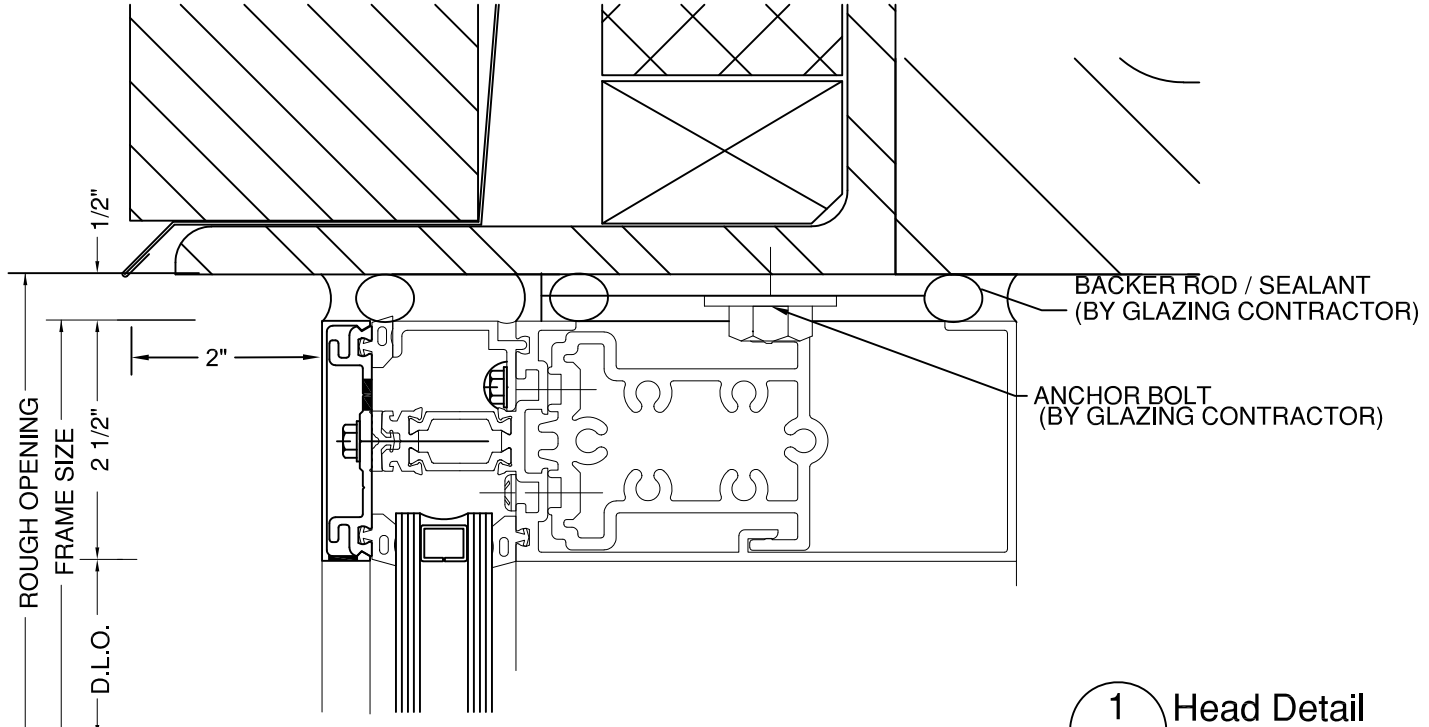
Midwest Consulting  
211 SW 1st St  
Madison SD 57042  
605.695.2086

Job Name  
Job Address  
Job Location

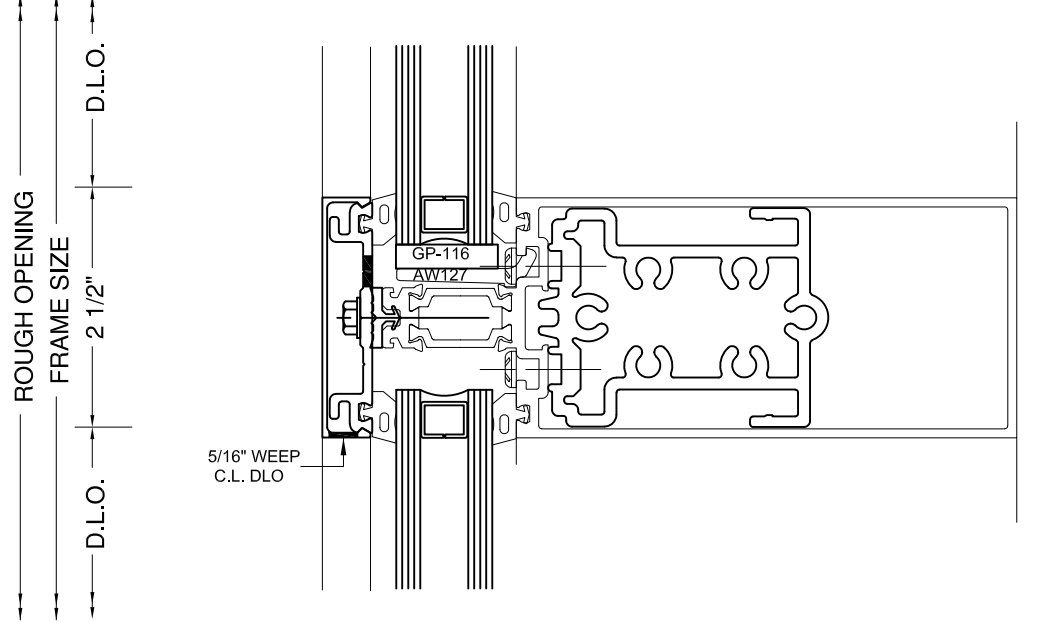
DESCRIPTION	DATE
SUBMITTAL:	00/00/00
1st Submission	00/00/00
1st Revision	00/00/00
2nd Revision	00/00/00

**Details**  
PROJECT #: Job #:  
START DATE: 00/00/00  
REV. DATE:  
DRAWN BY: TD

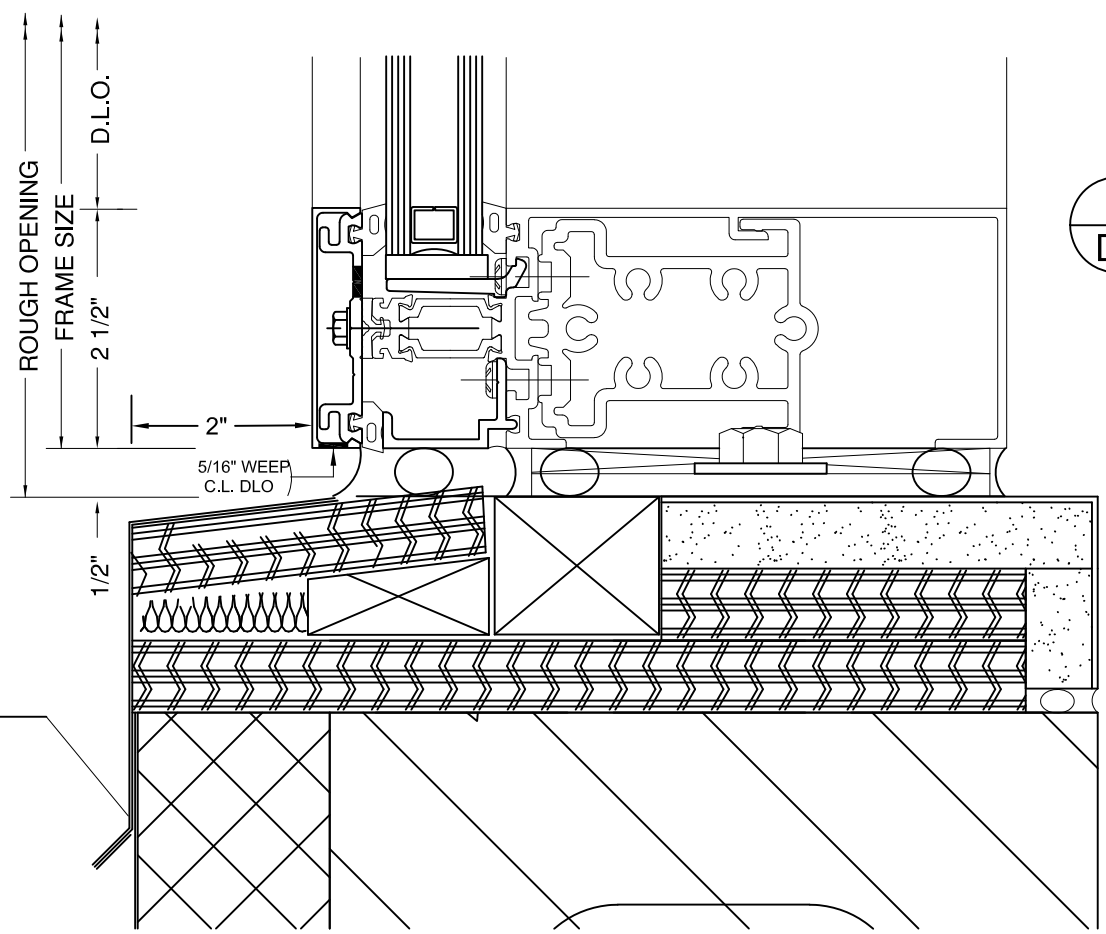
**D1**  
SCALE: 1/2"=1"



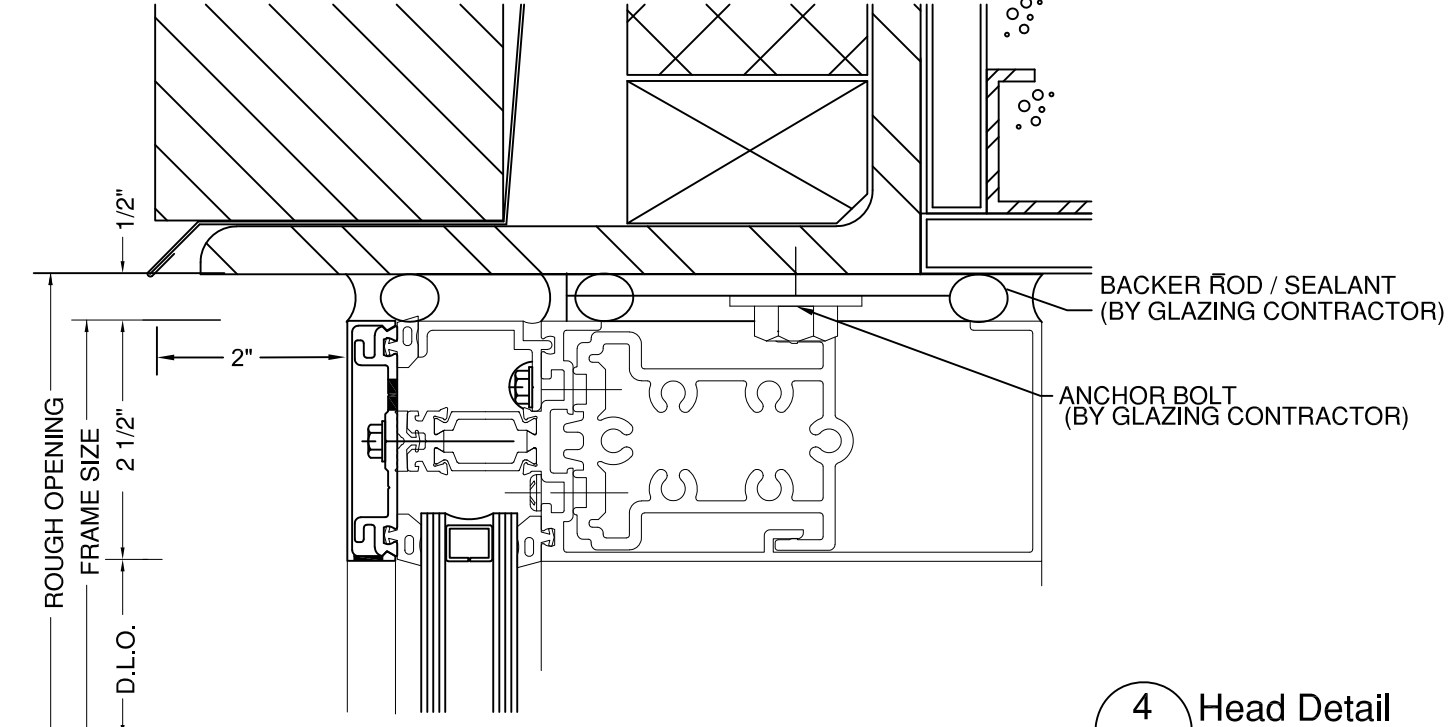
**1** Head Detail  
D4 Arch Ref. D4/A6.35



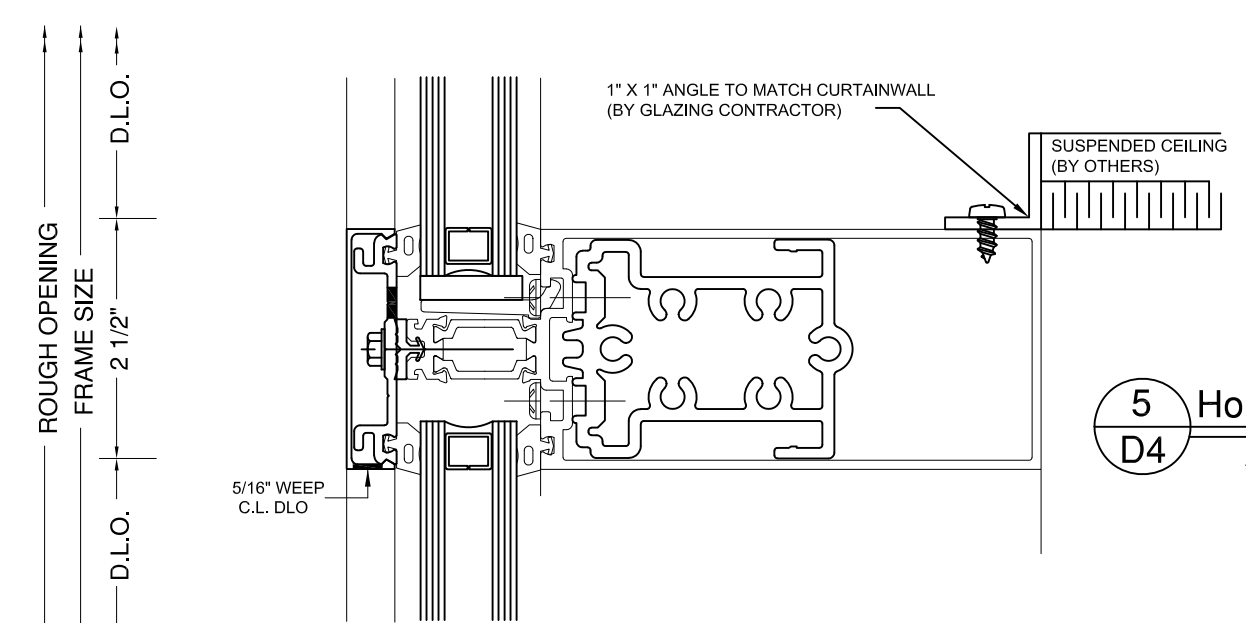
**2** Horizontal Detail  
D4 Arch Ref.



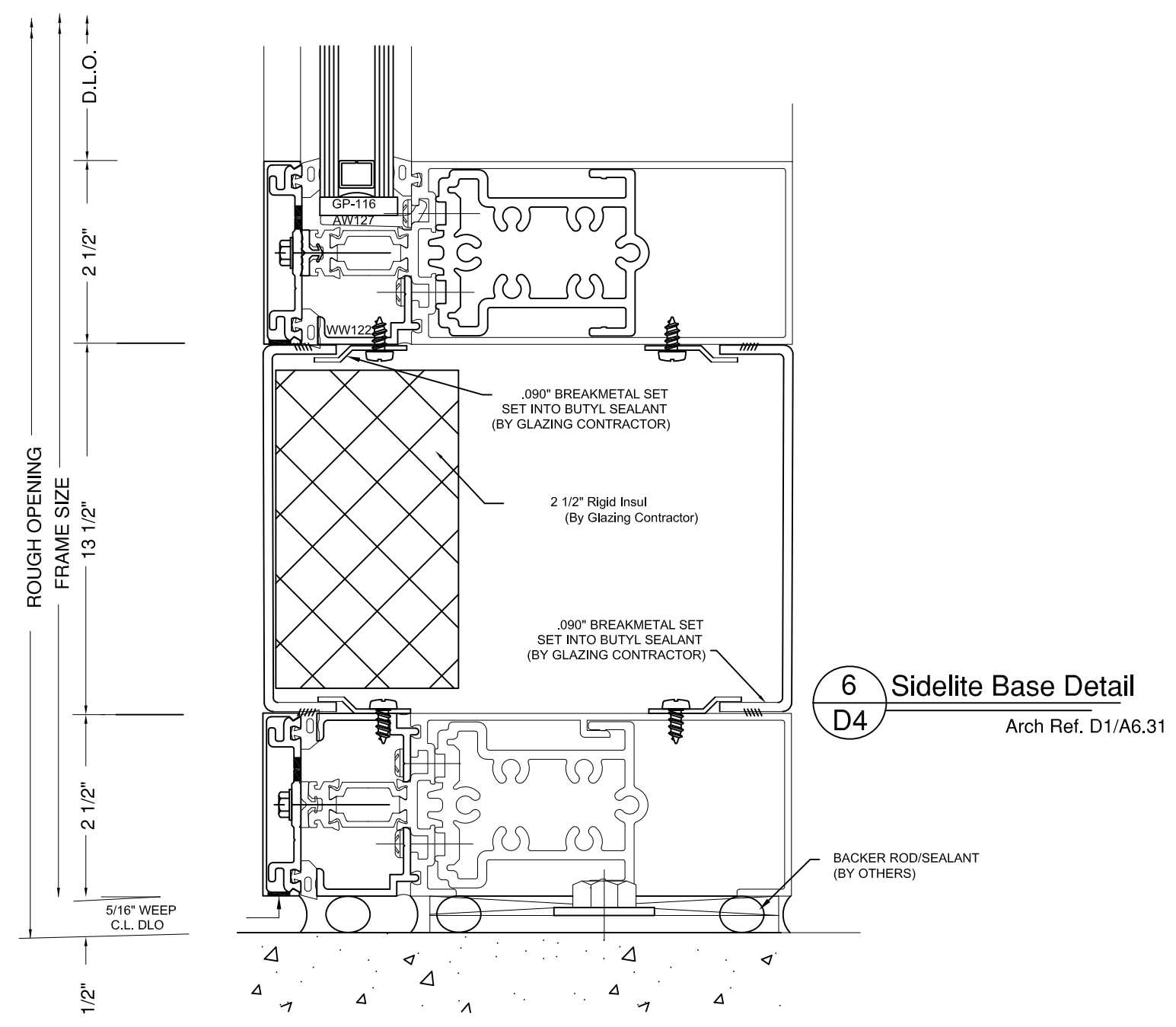
**3** Sill Detail  
D4 Arch Ref. B4/A6.35  
Arch Ref. B5/A6.38 Sim.



**4** Head Detail  
D4 Arch Ref. B1/A6.37



**5** Horizontal Detail  
D4 Arch Ref. B1/A6.35



**6** Sidelite Base Detail  
D4 Arch Ref. D1/A6.31

**MIDWEST**  
Consulting



Midwest Consulting  
211 SW 1st St  
Madison SD 57042  
605.695.2086

Job Name  
Job Address  
Job Location

DESCRIPTION	DATE
SUBMITTAL:	00/00/00
1st Submission	00/00/00
1st Revision	00/00/00
2nd Revision	00/00/00

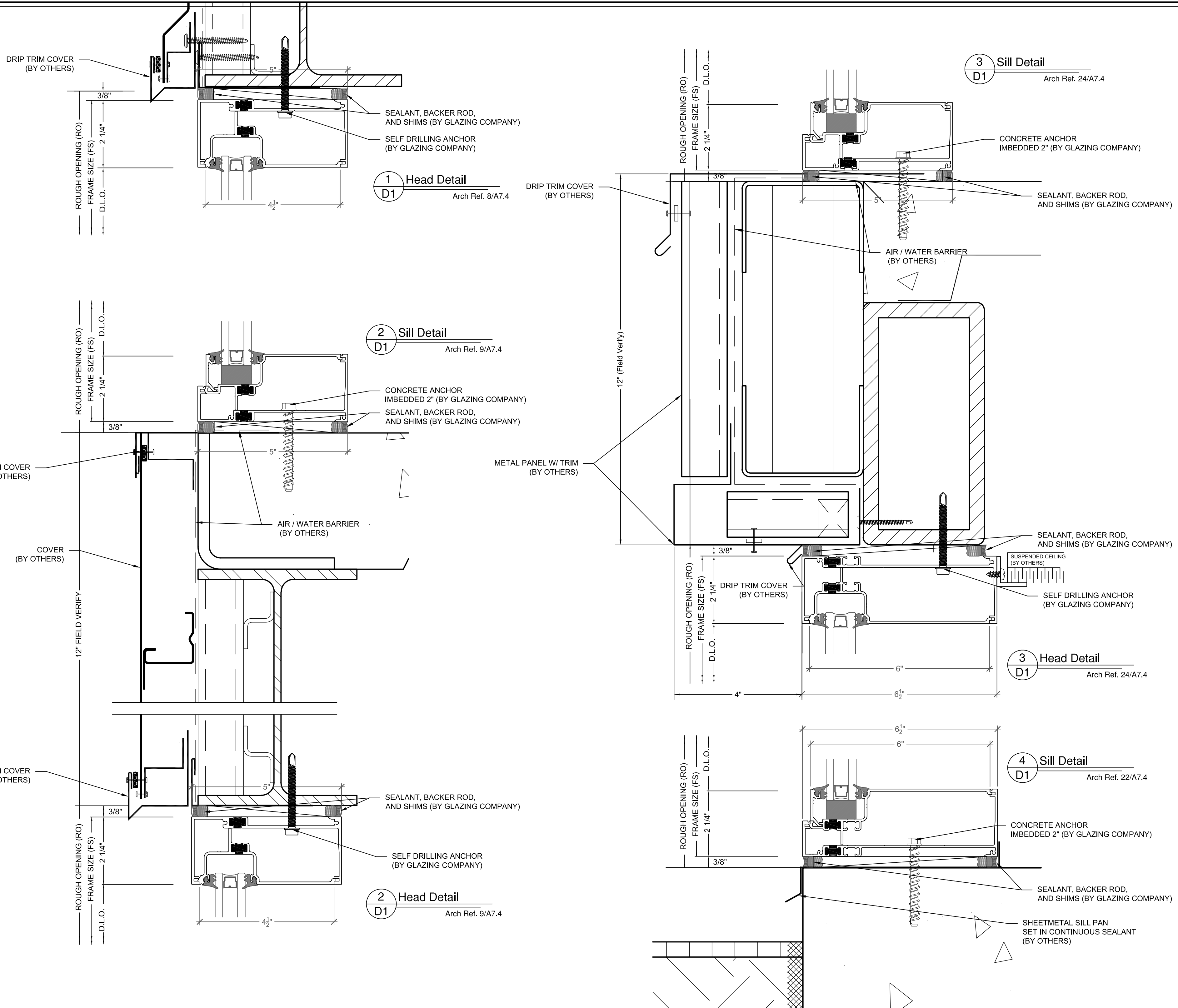
**Details**

PROJECT #: Job #:  
START DATE: 00/00/00  
REV. DATE:  
DRAWN BY: TD

**D4**

SCALE: 1/2"=1"





**MIDWEST**  
Consulting



Midwest Consulting  
211 SW 1st St  
Madison SD 57042  
605.695.2086

Job Name  
Job Address  
Job Location

DATE	DESCRIPTION
00/00/00	SUBMITTAL:
00/00/00	1st Submission
00/00/00	1st Revision
00/00/00	2nd Revision

**Details**  
PROJECT #: Job #:  
START DATE: 00/00/00  
REV. DATE:  
DRAWN BY: TD

**D1**

SCALE: 1/2"=1"



Midwest Consulting  
211 SW 1st St  
Madison SD 57042  
605.695.2086

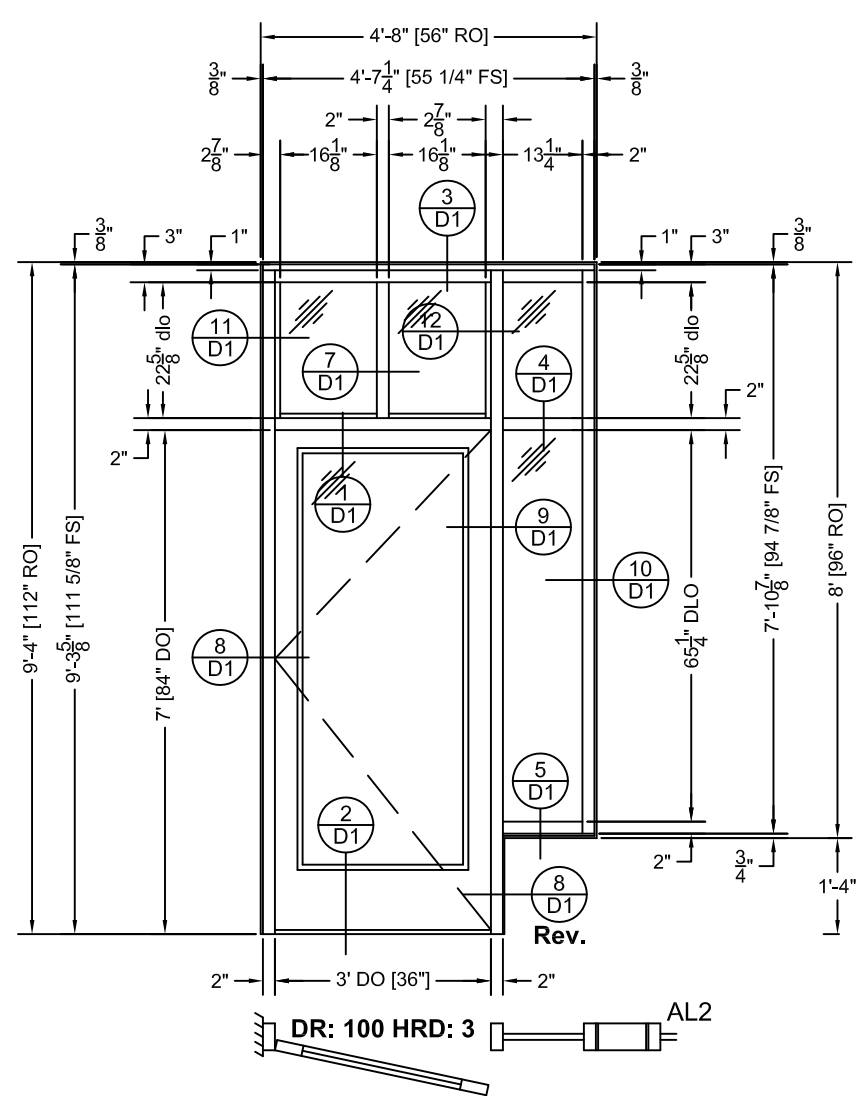
Job Name  
Job Address  
Job Location

DATE	DESCRIPTION
00/00/00	SUBMITTAL: 1st Submission
00/00/00	1st Revision
00/00/00	2nd Revision

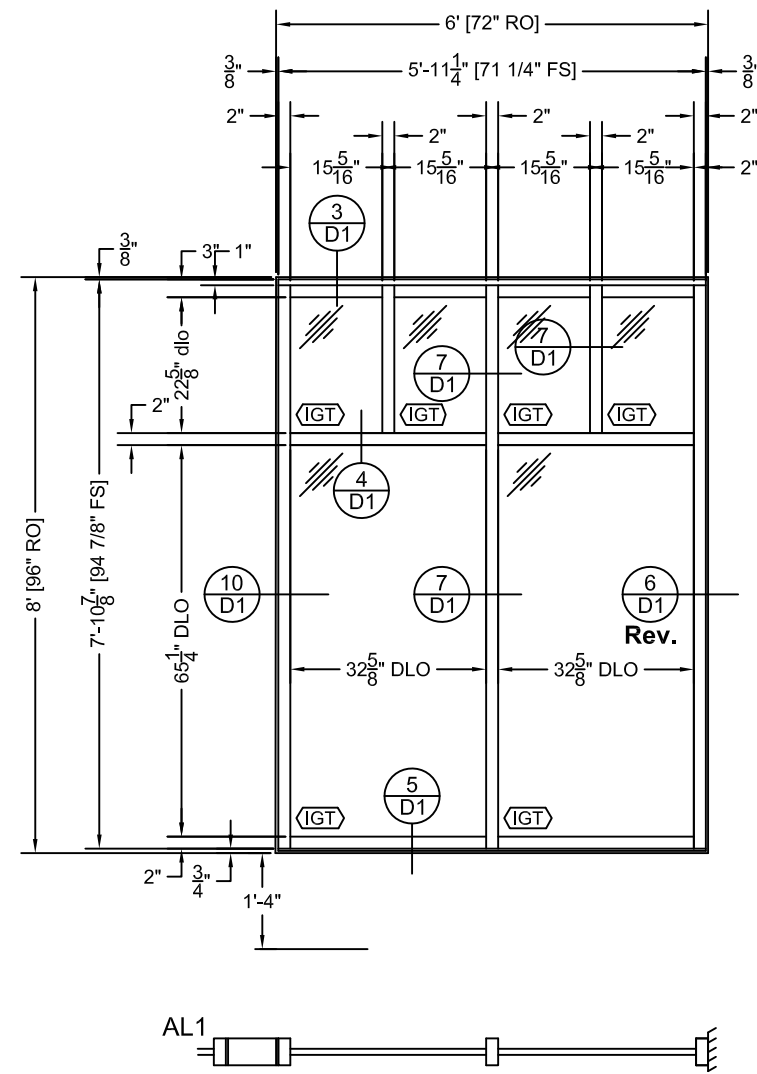
**Elevations**  
PROJECT #: Job #:  
START DATE: 00/00/00  
REV. DATE:  
DRAWN BY: TD

**E1**

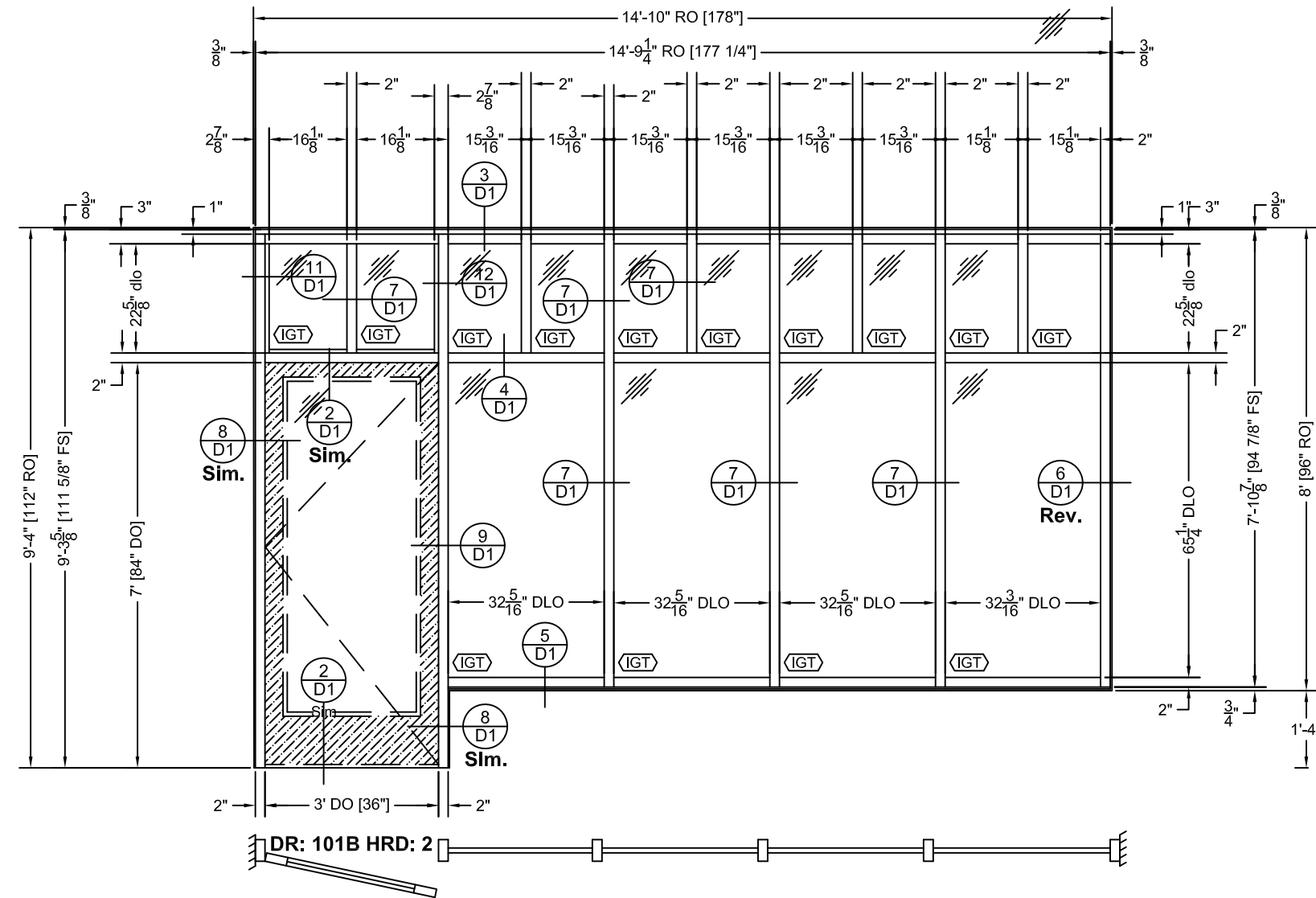
SCALE: 1/2"=12"



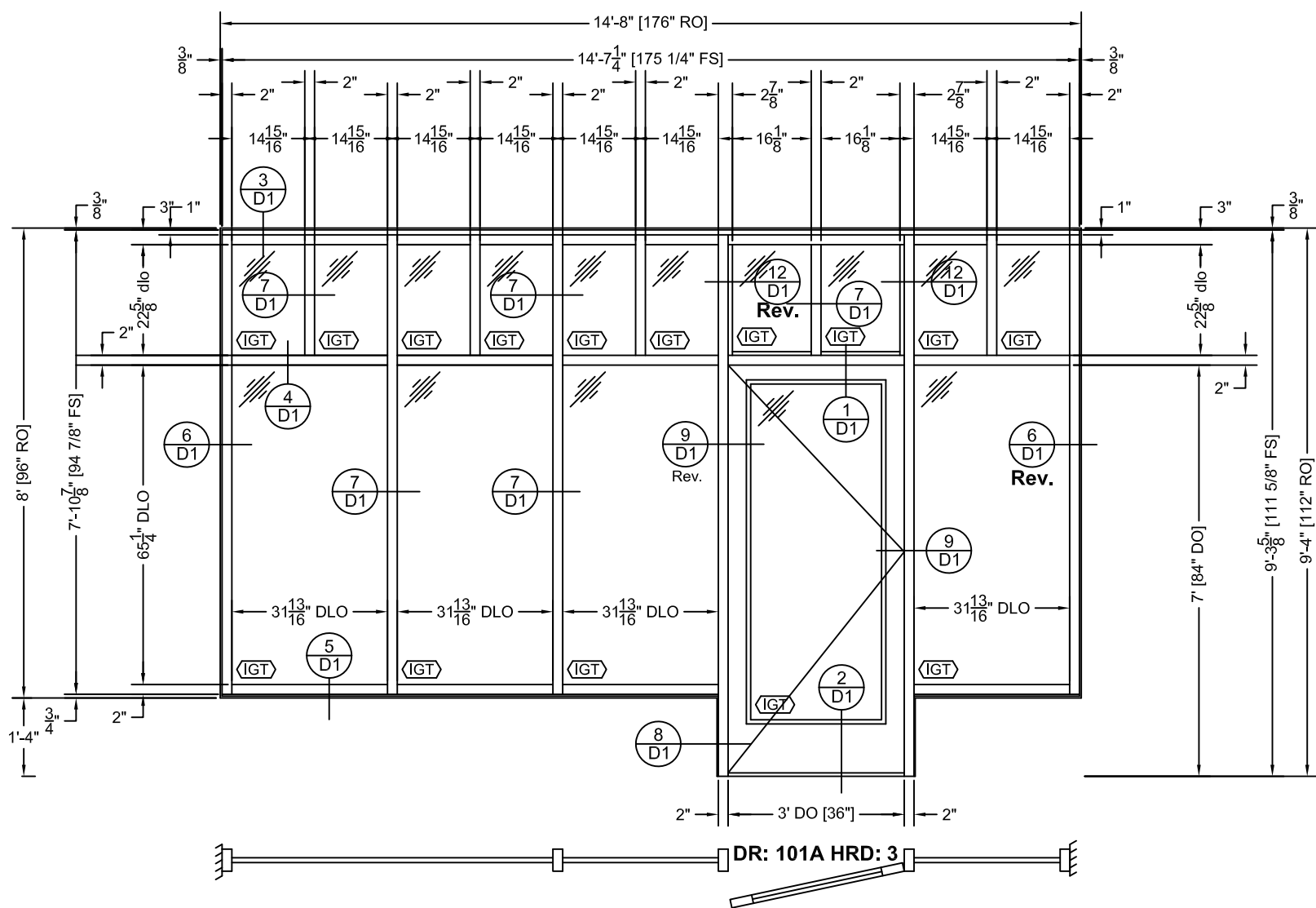
**1 AL1** THUS 1  
FG-3000 CS TB (2" x 4 1/2") SCALE: 1/2" = 1'-0"  
FG-3000 CS NON-TB DOOR FRAME  
500 WIDE STILE DOOR



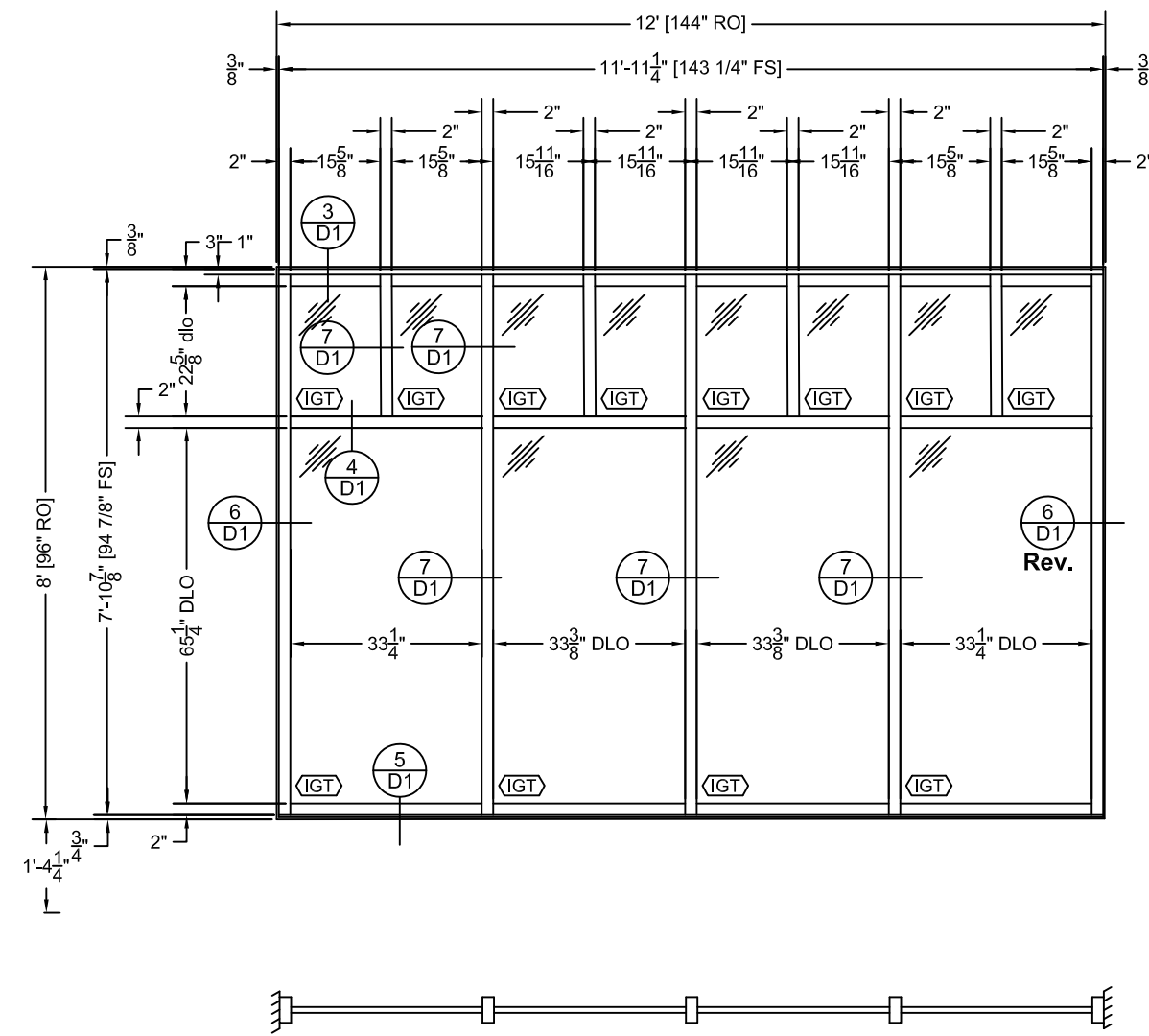
**2 AL2** THUS 1  
FG-3000 CS TB (2" x 4 1/2") SCALE: 1/2" = 1'-0"  
FG-3000 CS NON-TB DOOR FRAME  
500 WIDE STILE DOOR



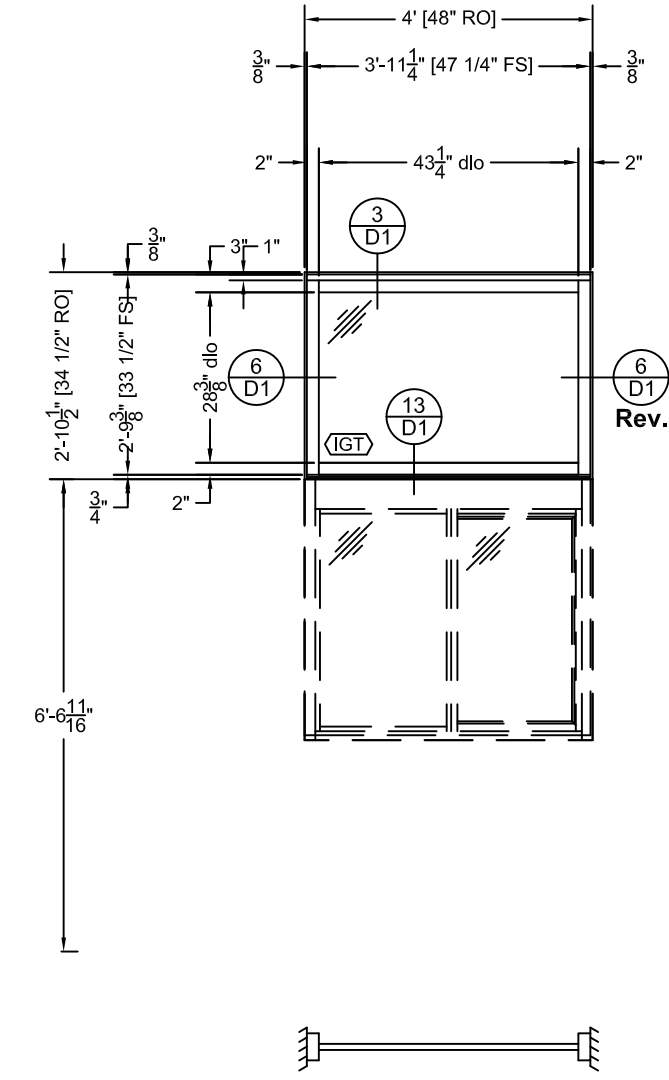
**3 AL3** THUS 1  
FG-3000 CS TB (2" x 4 1/2") SCALE: 1/2" = 1'-0"  
FG-3000 CS NON-TB DOOR FRAME  
(DOOR BY OTHERS)



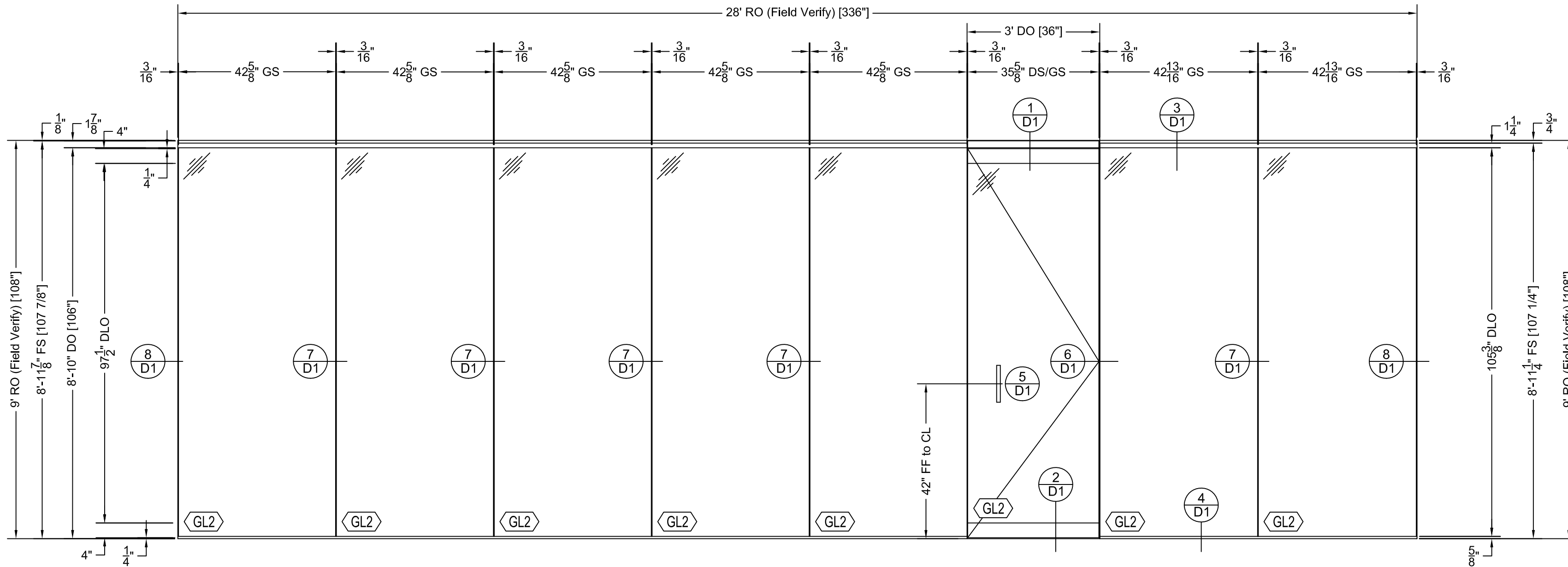
**4 AL4** THUS 1  
FG-3000 CS TB (2" x 4 1/2") SCALE: 1/2" = 1'-0"  
FG-3000 CS NON-TB DOOR FRAME  
500 WIDE STILE DOOR



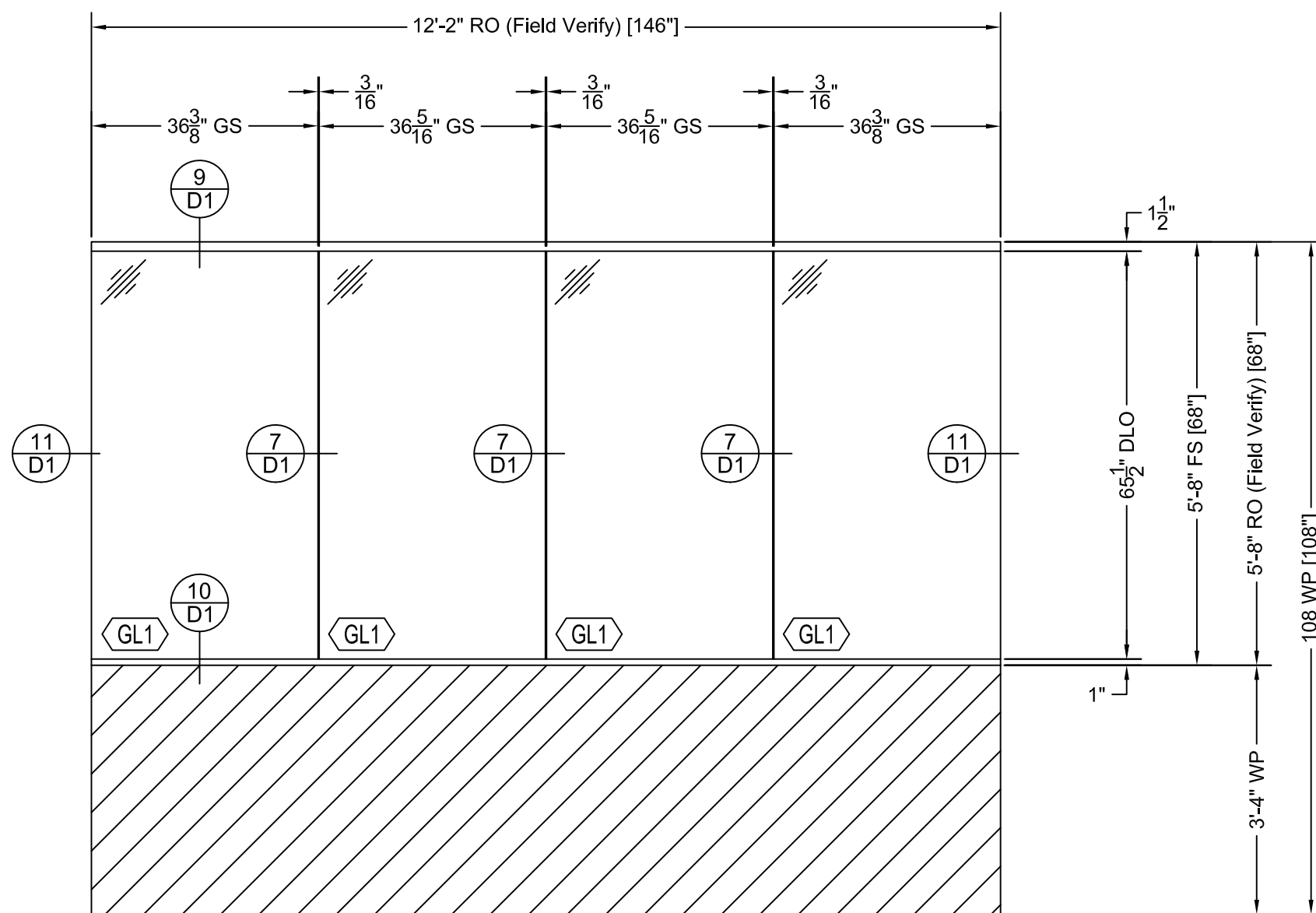
**5 AL5** THUS 1  
FG-3000 CS TB (2" x 4 1/2") SCALE: 1/2" = 1'-0"  
FG-3000 CS NON-TB DOOR FRAME



**6 AL6** THUS 1  
FG-3000 CS TB (2" x 4 1/2") SCALE: 1/2" = 1'-0"  
(Drive Thru Window (Not By OBE))



**1 Elevation 1** 1 Thus  
 Wedglock Door 1/2" Clear Tempered Glass  
 CRL Channel Sidelite  
 Room:  
 N Break Room



**2 Elevation 2** 1 Thus  
 CRL Channel Glass Wall 3/8" Clear Tempered Glass  
 Room:  
 Reception

**MIDWEST**  
 Consulting



Midwest Consulting  
 211 SW 1st St  
 Madison SD 57042  
 605.695.2086

Job Name  
 Job Address  
 Job Location

DESCRIPTION	DATE
SUBMITTAL:	00/00/00
1st Submission	00/00/00
1st Revision	00/00/00
2nd Revision	00/00/00

**Elevations**  
 PROJECT #: Job #:  
 START DATE: 00/00/00  
 REV. DATE:  
 DRAWN BY: TD

**E1**

SCALE: 1/2"=12"





Building Expansion Joint  
Verify w/ GC amount which frame  
should be held off adjacent masonry  
wall to allow for expansion joint.

Type CW2  
Series Reliance TC Type II Curtainwall  
1" GLAZING  
1 THUS



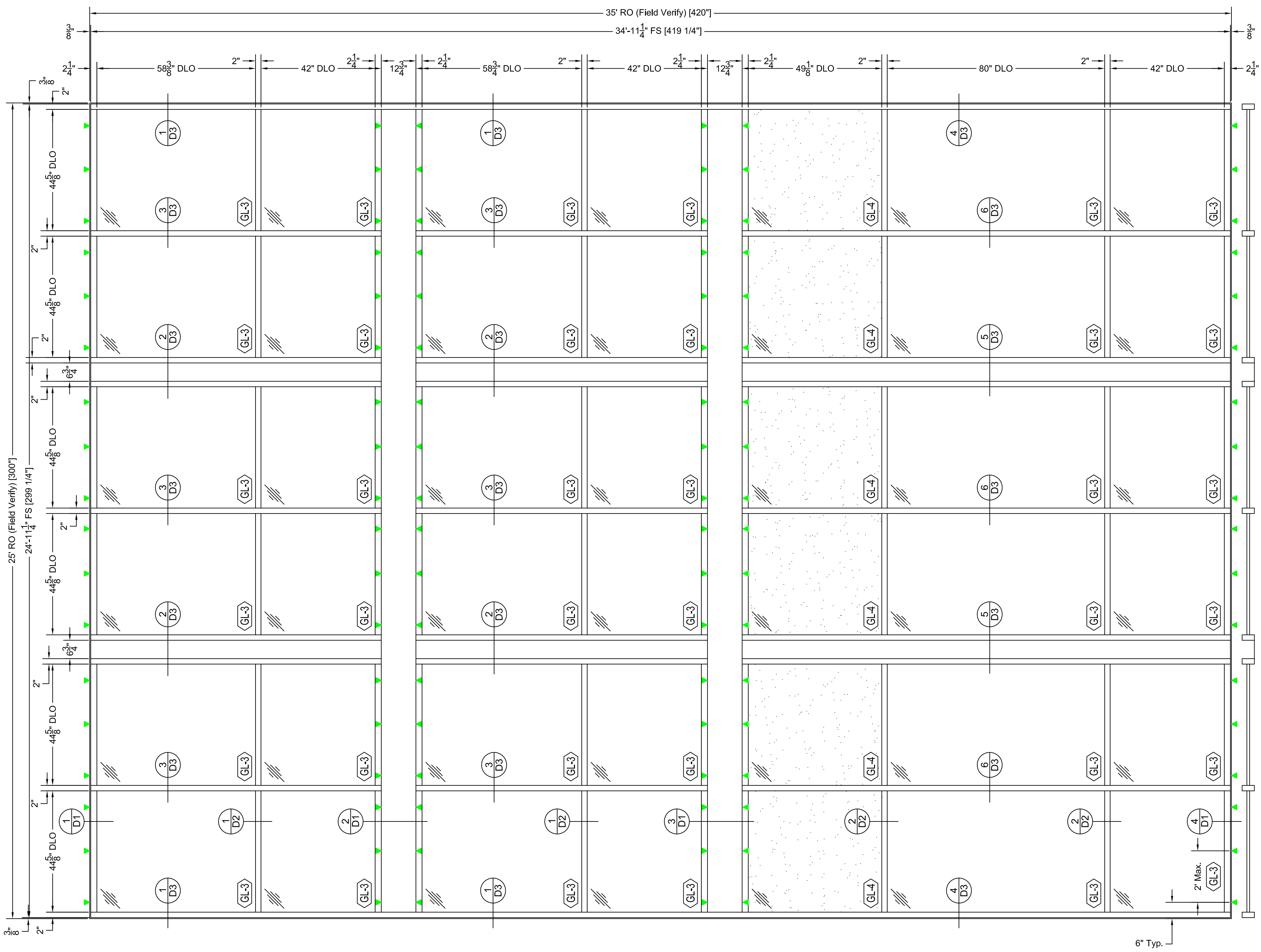
Midwest Consulting  
211 SW 1st St  
Madison SD 57042  
605.695.2086

Job Name  
Job Address  
Job Location

DATE	DESCRIPTION
00/00/00	SUBMITTAL: 1st Submission
00/00/00	1st Revision
00/00/00	2nd Revision

Elevations  
PROJECT #: Job #:  
START DATE: 00/00/00  
REV. DATE:  
DRAWN BY: TD

E2  
SCALE: 1/2"=12"



1 Frame Type A  
 1 Thus  
 Arcadia AFG451T Frame  
 Arcadia AFG601T Frame  
 1" Insulating Glass

\*A\* Anchor Locations  
 Field Verify Fastener Requirements



Midwest Consulting  
 211 SW 1st St  
 Madison SD 57042  
 605.695.2086

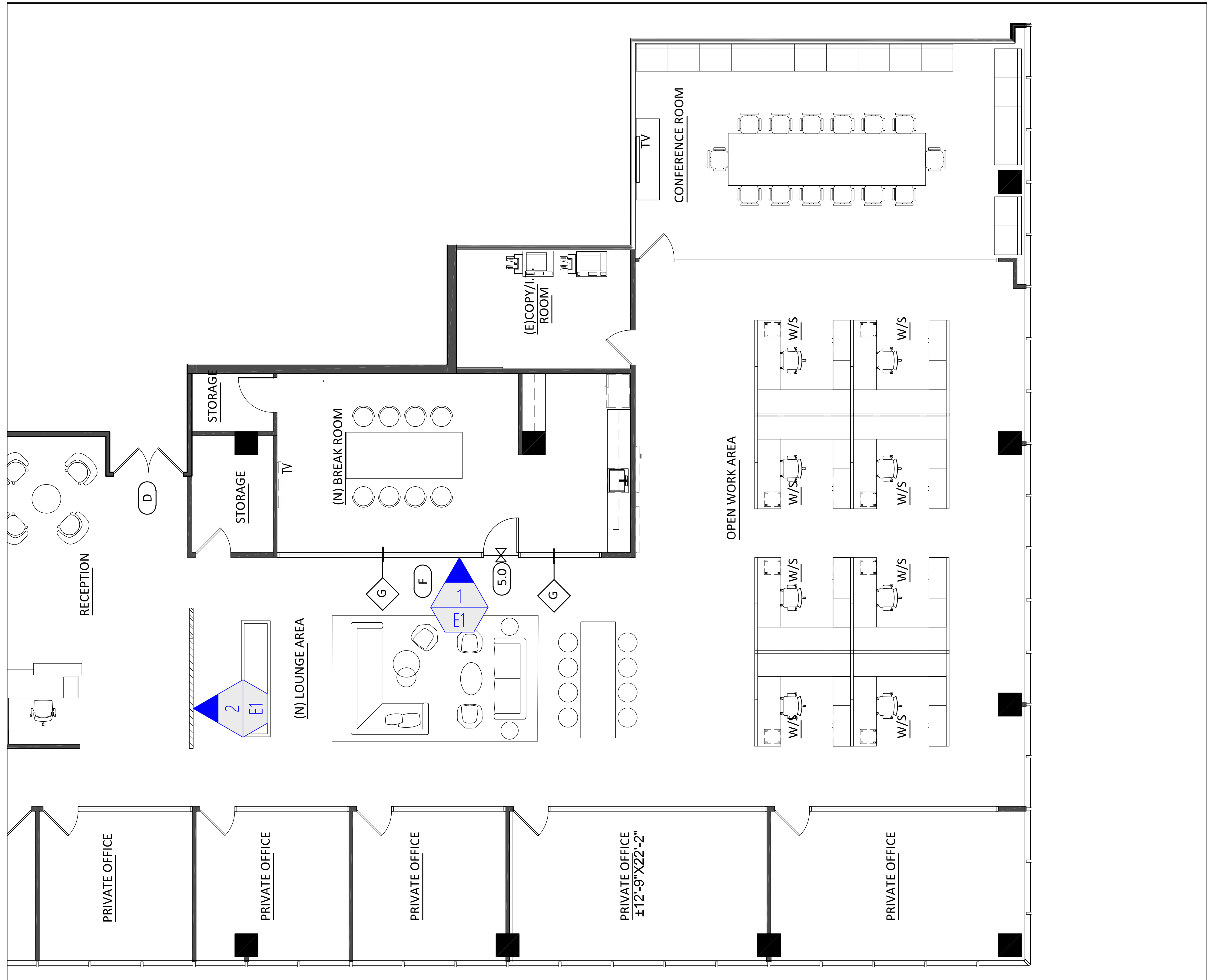
Job Name  
 Job Address  
 Job Location

DESCRIPTION	DATE
SUBMITTAL:	00/00/00
1st Submission	00/00/00
1st Revision	00/00/00
2nd Revision	00/00/00

Elevations  
 PROJECT #: Job #:  
 START DATE: 00/00/00  
 REV. DATE:  
 DRAWN BY: TD

E1  
 SCALE: 1/2"=12"





**MIDWEST**  
Consulting



Midwest Consulting  
211 SW 1st St  
Madison SD 57042  
605.695.2086

Job Name  
Job Address  
Job Location

DESCRIPTION	DATE
SUBMITTAL:	00/00/00
1st Submission	00/00/00
1st Revision	00/00/00
2nd Revision	00/00/00

**Floor Plan**  
PROJECT #: Job #:  
START DATE: 00/00/00  
REV. DATE:  
DRAWN BY: TD

**F1**

SCALE: None

**MATERIALS:**

CRL Channel Sidelite Base Mill Aluminum Finish  
CRL Hat Channel Sidelite Header White Painted Finish  
CRL Channel Glass Wall Clear Anodized Finish  
CRL Wedglock Doors Brushed Stainless Finish

**GLAZING:**

GL-1 3/8" Clear Tempered Glass x Flat Polish Exposed Edges  
GL-2 1/2" Clear Tempered Glass x Flat Polish Exposed Edges

**HARDWARE GROUP 1: (N Break Room)**

1 ea 1 3/4" x 4 1/2" Door Header x Brushed Stainless Finish  
1 ea Concealed Overhead Adjustable Closer x 90 Degree x Hold Open  
1 ea 4" Tapered Top Rail x Brushed Stainless Finish  
1 ea 4" Tapered Bottom Rail x Brushed Stainless Finish  
2 ea 10" Standard Pulls x Back to Back x Brushed Stainless Finish  
1 ea Header Mounted door Stop x Brushed Stainless Finish  
1 ea Floor Mounted Dome Door Stop x Satin Chrome Finish

**GLAZING CONTRACTOR TO SUPPLY:**

Perimeter Sealant,  
Perimeter Anchors,  
Backer Rods,  
Shims

**EXCLUDES:**

Final Cleaning,  
Supply or Install of Building Standard Frames,  
Supply or Install of Building Standard Doors,  
Door Threshold or Locks

**NOTE:**

Field Verify All Dimensions

# Job Name

## Building Name

## Suite Number

## Job Address

## Job City, Location

# MIDWEST Consulting



Midwest Consulting  
211 SW 1st St  
Madison SD 57042  
605.695.2086

# Job Name

# Job Address

# Job Location

**CONTRACTOR:**  
Contractor Name  
Contractor Contact  
Contractor Address  
Contractor Location

**ARCHITECTS:**  
Architect Name  
Architect Contact  
Architect Address  
Architect Location

**SHEET INDEX:**  
T1 Title / Schedule Page  
H1 Hardware Schedule  
BE1 Building Elevation  
F1 Floor Plan  
E1 Elevations  
D1 Details

**ABBREVIATIONS:**  
RO Rough Opening  
FS Frame Size  
DLO Daylight Opening  
DO Door Opening  
DS Door Size  
GS Glass Size  
WP Work Point  
FV Field Verify

DESCRIPTION	DATE
SUBMITTAL:	00/00/00
1st Submission	00/00/00
1st Revision	00/00/00
2nd Revision	00/00/00

**Schedules**  
PROJECT #: Job #:  
START DATE: 00/00/00  
DRAWN BY: TD  
**T1**  
SCALE: None